



Pipe joint assemblies and fittings for types 1 and 2 high-density polyethylene (HDPE) pressure pipes
 Tees and branches produced by segment inserts and necking for butt welding Dimensions

DIN
16 963
 Part 2

Rohrverbindungen und Rohrleitungsteile für Druckrohrleitungen aus Polyethylen hoher Dichte (HDPE) Typ 1 und 2; in Segmentbauweise und durch Aushalsen hergestellte T-Stücke und Abzweige für Stumpfschweißung, Masse

Dimensions in mm

1 Scope and field of application

This standard applies to types 1 and 2 high-density polyethylene (HDPE) tees and branches produced by segment inserts and necking of pipes conforming to DIN 8074 Part 1 and 2 and butt welded using heated tools in accordance with DIN 1910 Part 3 or in accordance with DVS 2207 Part 1 to types 1 and 2 HDPE pipes.

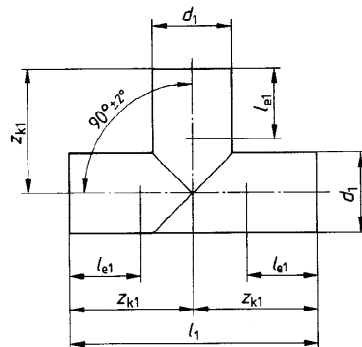
The tees and branches shall comply with the requirements specified in DIN 16 963 Part 5 or Part 25 *).

For welding reasons, the tees and branches shall only be welded to pipes conforming to DIN 8074 Part 1 and Part 2 and pipe fittings of the same pipe series. Deviations from this requirement are permitted if the same wall thicknesses are given in the welding zone.

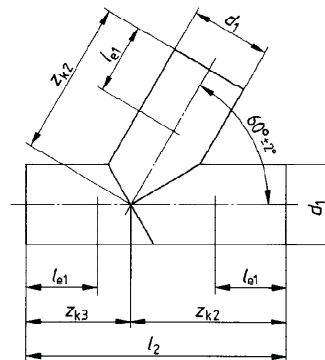
2 Dimensions, designations

The tees and branches need not conform to the illustrations, only the dimensions specified are to be adhered to.

Tee T1
 (produced by segment insert)



Branch A 60
 (produced by segment insert)



Designation of a pipe series 3 type 1 60° branch (A 60) of 500 mm external diameter:
 Branch DIN 16 963 – A 60 – 500 – 3 – 1

*) At present at the stage of draft.

Continued on pages 2 to 4

No part of this standard may be reproduced without the prior permission of DIN Deutsches Institut für Normung e. V., Berlin in case of doubt, the German language original should be consulted as the authoritative text.

Office Address:

No.8 (Suit 6), Nour Alley, Africa St., Tehran/IRAN.....

Tel.: (+98 21) 88 67 79 65 , 88 67 79 66, 88 67 39 19 , 88 67 39 18 - Fax: (+98 21) 88 87 85 81

www.parsethylene-kish.com

Table 1. Tee T1 and branch A 60

d_1	l_{e1} min.	Tee		60° branch		
		l_1 min.	z_{k1} min.	l_2 min.	z_{k2} min.	z_{k3} min.
110	150	410	205	500	325	175
125		430	215	545	355	190
140		440	220	581	375	206
160		460	230	642	412	230
180		480	240	700	450	250
200		500	250	759	487	272
225		530	265	830	530	300
250	250	750	375	905	580	325
280		780	390	995	630	365
315	300	920	460	1090	690	400
355		960	480	1155	730	425
400		1000	500	1250	800	450
450		1050	525	1325	850	475
500	350	1200	600	1400	900	500
560		1260	630	1480	950	530
630		1330	665	1545	1000	545
710		1410	705	1670	1090	580
800		1500	750	1810	1180	630
900	400	1700	850	1990	1320	670
1000		1800	900	2070	1360	710
1200		2000	1000	2400	1540	860

Office Address:

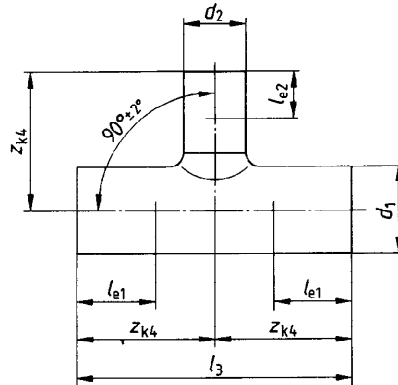
No.8 (Suit 6), Nour Alley, Africa St., Tehran/IRAN.....

Tel.: (+98 21) 88 67 79 65 , 88 67 79 66, 88 67 39 19 , 88 67 39 18 - Fax: (+98 21) 88 87 85 81

www.parsethylene-kish.com



Tee T5
(produced by necking)



Designation of a pipe series 3 type 1 necked, reduced tee T5 with $d_1 = 200$ mm and $d_2 = 140$ mm:

TEE DIN 16 963 – T5 – 200 × 140 – 3 – 1

Table 2. Tee T5

d_1	l_{e1} min.	d_2	l_{e2} min.	l_3 min.	z_{k4} min.	d_1	l_{e1} min.	d_2	l_{e2} min.	l_3 min.	z_{k4} min.	d_1	l_{e1} min.	d_2	l_{e2} min.	l_3 min.	z_{k4} min.		
160		50		520	260	280	250	90		760	380	450	300	140	150	1100	550		
		63						110						160				200	225
		75						125						180				250	280
		90						140						160				280	315
		110						160						180				250	300
180		63		560	280	315		110	150	830	415	500	150	160	1200	600			
		75						125						140			160	180	
		90						140						160			200	225	
		110						160						180			250	280	
200	150	63	150	600	300	355	300	110		920	460	560	350	180	150	1320	660		
		75						125						140				160	180
		90						140						160				200	225
		110						160						180				250	280
		125						180						160				225	250
225		75		650	325	400		125	150	1000	500	630	250	200	1460	730			
		90						140						160			180	200	
		110						160						180			225	250	
		125						180						160			200	225	
		140						200						180			250	280	
		160						225						200			225	250	
250	250	75		700	350	400		125	150	1000	500	630	300	200	1460	730			
		90						140						160			180	200	
		110						160						180			225	250	
		125						180						160			200	225	
		140						200						180			250	280	
		160						225						200			225	250	
		180						250						225			250	280	
		200						280						250			250	280	
		225						300						280			250	280	
		250						300						315			300	355	
280	300	355	300	400															

Office Address:

No.8 (Suit 6), Nour Alley, Africa St., Tehran/IRAN.....

Tel.: (+98 21) 88 67 79 65 , 88 67 79 66, 88 67 39 19 , 88 67 39 18 - Fax: (+98 21) 88 87 85 81

www.parsethylene-kish.com

Standards referred to and other documents

DIN 1910 Part 3	Welding; welding of plastics, processes
DIN 8074 Part 1	Type 1 rigid polyethylene (rigid PE) pipes; dimensions
DIN 8074 Part 2	Type 2 high-density polyethylene (HDPE) pipes; dimensions
DIN 16 963 Part 5	Pipe joint assemblies and fittings for type 1 rigid polyethylene (rigid PE) pressure pipes; general quality requirements, testing
DIN 16 963 Part 25	(at present at the stage of draft) Pipe joint assemblies and fittings for type 2 high-density polyethylene (HDPE) pressure pipes; general quality requirements, testing, supplement to DIN 16 963 Part 5
DVS 2207 Part 1	Welding of thermoplastics, rigid polyethylene (rigid PE); pipes and fittings for gas pipelines and water supply lines ¹⁾

Other relevant standards

DIN 8075 Part 1	Type 1 rigid polyethylene (rigid PE) pipes; general quality requirements, testing
DIN 8075 Part 2	Type 2 high-density polyethylene (HDPE) pipes; general quality requirements, testing
DIN 16 963 Part 1	Pipe joint assemblies and fittings for types 1 and 2 high-density polyethylene (HDPE) pressure pipes; bends produced by segment inserts for butt welding, dimensions
DIN 16 963 Part 3	Pipe joint assemblies and fittings for types 1 and 2 high-density polyethylene (HDPE) pressure pipes; bends formed from pipes for butt welding, dimensions
DIN 16 963 Part 6	(at present at the stage of draft) Pipe joint assemblies and fittings for types 1 and 2 high-density polyethylene (HDPE) pressure pipes; injection moulded fittings for butt welding, dimensions
DIN 16 963 Part 7	Pipe joint assemblies and fittings for types 1 and 2 high-density polyethylene (HDPE) pressure pipes; injection moulded electric fusion fittings, dimensions
DIN 16 963 Part 8	Pipe joint assemblies and fittings for types 1 and 2 high-density polyethylene (HDPE) pressure pipes; injection moulded elbows for socket welding, dimensions
DIN 16 963 Part 9	Pipe joint assemblies and fittings for types 1 and 2 high-density polyethylene (HDPE) pressure pipes; injection moulded tees for socket welding, dimensions
DIN 16 963 Part 10	Pipe joint assemblies and fittings for types 1 and 2 high-density polyethylene (HDPE) pressure pipes; injection moulded sockets and caps for socket welding, dimensions
DIN 16 963 Part 11	Pipe joint assemblies and fittings for types 1 and 2 high-density polyethylene (HDPE) pressure pipes; bushes, flanges and seals for socket welding, dimensions
DIN 16 963 Part 12	Pipe joint assemblies and fittings for types 1 and 2 high-density polyethylene (HDPE) pressure pipes; injection moulded reducers for connection to electric fusion fittings
DIN 16 963 Part 13	Pipe joint assemblies and fittings for types 1 and 2 high-density polyethylene (HDPE) pressure pipes; turned and pressed reducers for butt welding, dimensions
DIN 16 963 Part 14	Pipe joint assemblies and fittings for types 1 and 2 high-density polyethylene (HDPE) pressure pipes; injection moulded reducers and nipples for socket welding, dimensions

International Patent Classification

F 16 L 47/00

¹⁾ To be obtained from the *Deutscher Verlag für Schweißtechnik GmbH*, Postfach 27 25, D-4000 Düsseldorf.

Office Address:

No.8 (Suit 6), Nour Alley, Africa St., Tehran/IRAN.....
Tel.: (+98 21) 88 67 79 65 , 88 67 79 66, 88 67 39 19 , 88 67 39 18 - Fax: (+98 21) 88 87 85 81
www.parsethylene-kish.com